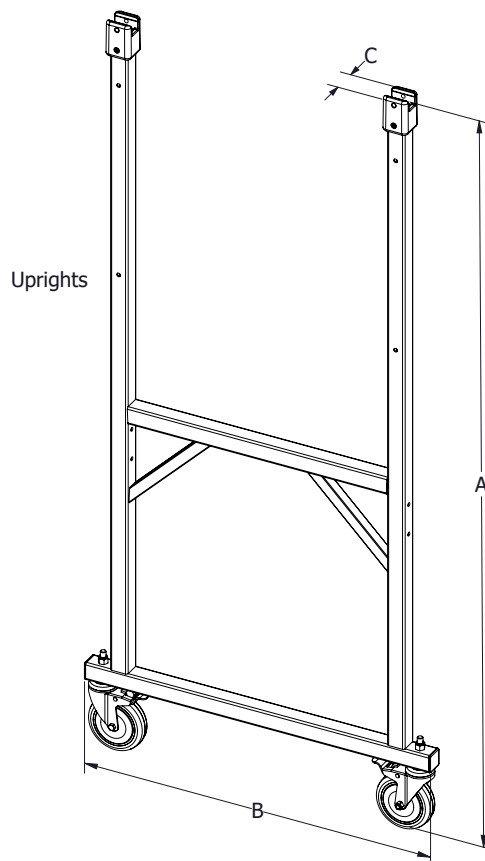
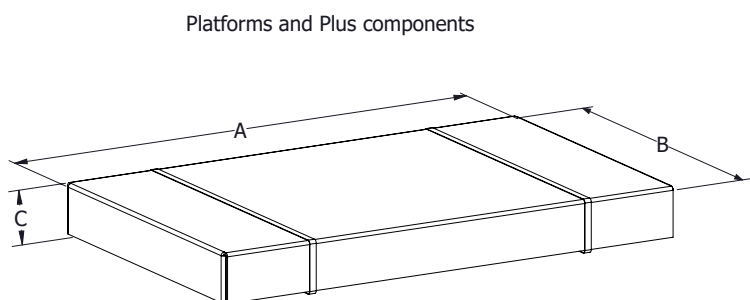


ACCESS PLATFORMS / MODULAR ACCESS SYSTEM



PRODUCT CODE	PRODUCT DESCRIPTION	PRODUCT EAN	A(mm)	B(mm)	C(mm)	WT(kg)	PACKED VOL(m³)
FS13855	MODULAR ACCESS SYSTEM PLUS PLATFORM	9312097062900	952	736	136	20.4	0.095
FS13856	MODULAR ACCESS SYSTEM JOINER PLATFORM	9312097062917	737	516	138	8.6	0.052
FS13857	MODULAR ACCESS SYSTEM PLUS PLATFORM SPREADER	9312097062924	596	90	147	2.0	0.008
FS13789	MODULAR ACCESS SYSTEM 1.0M PLATFORM	9312097062238	1062	651	113	16.5	0.078
FS13790	MODULAR ACCESS SYSTEM 2.0M PLATFORM	9312097062245	2062	651	113	31.0	0.152
FS13791	MODULAR ACCESS SYSTEM 3 STEP UPRIGHT	9312097062252	1740	800	60	7.9	0.084
FS13792	MODULAR ACCESS SYSTEM 4 STEP UPRIGHT	9312097062269	2010	800	60	8.5	0.096
FS13793	MODULAR ACCESS SYSTEM 5 STEP UPRIGHT	9312097062276	2290	800	60	9.2	0.110
FS13794	MODULAR ACCESS SYSTEM 6 STEP UPRIGHT	9312097062283	2560	800	60	10.0	0.123